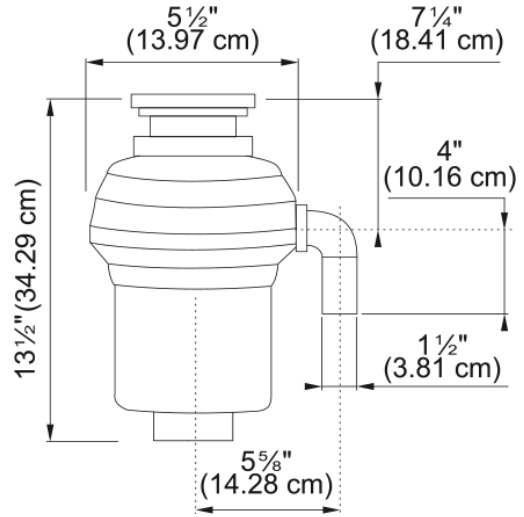


1/2 HP Food Waste Disposer - KWD50C1-EZ | 134.0255.890



Technical Data

Aspect

Product type Food waste disposer

Energy specifications

Voltage 110 V

Product identification

Product brand Kindred

Collection Disposer

Features

Horsepower 1/2 HP